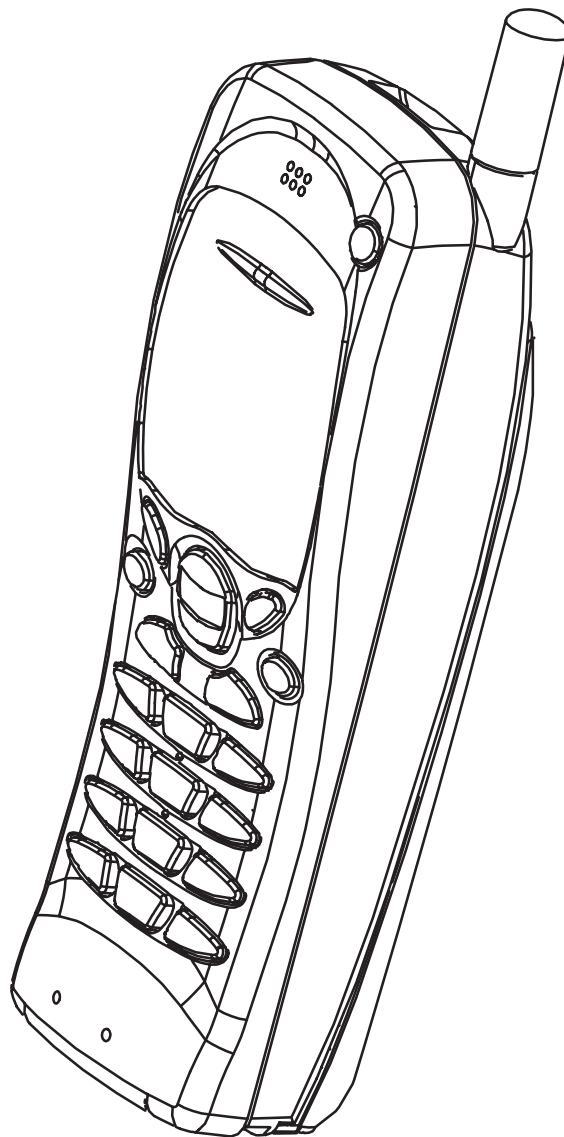


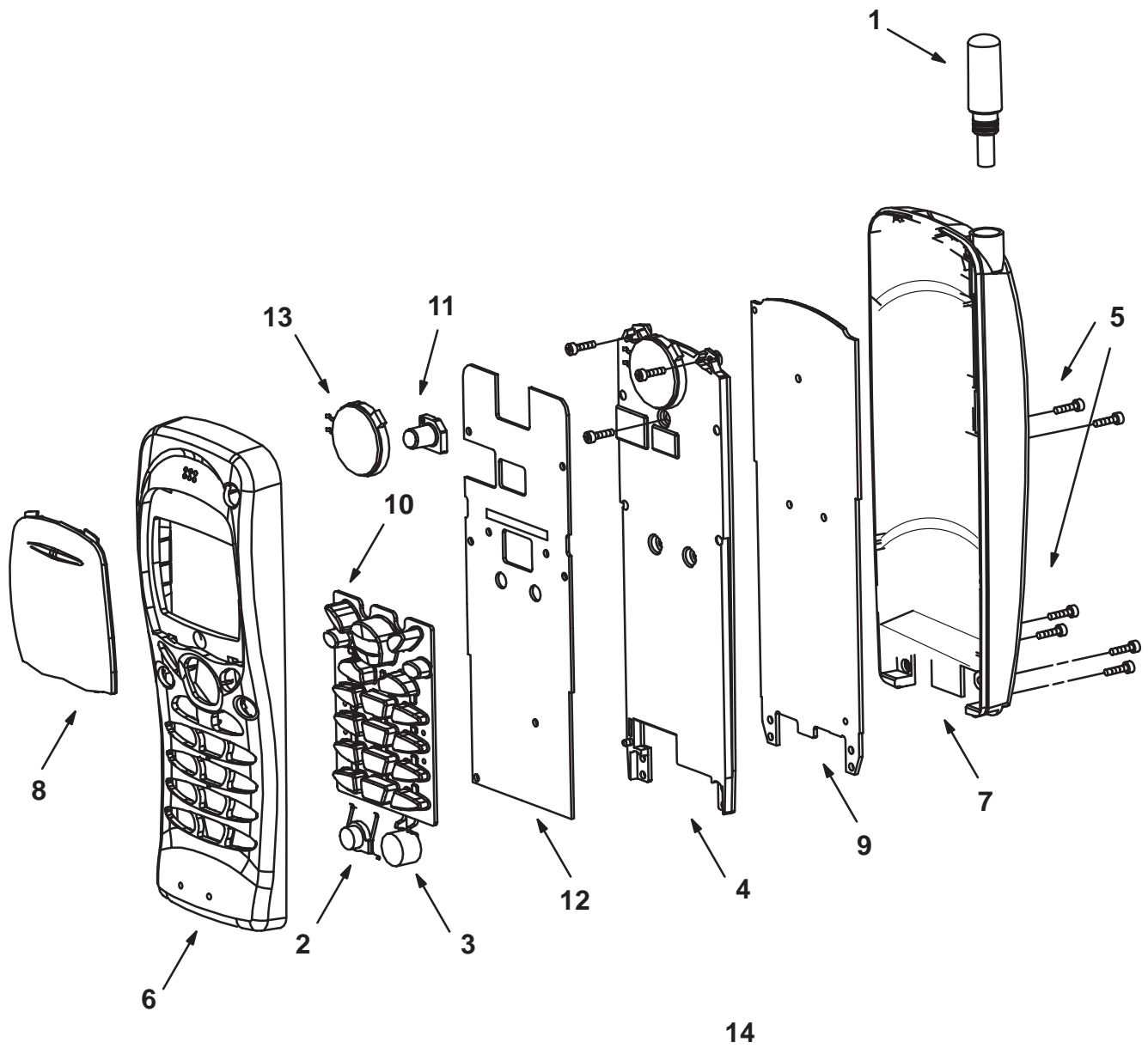
Programmes After Market Services

Appendix 2

Transceiver NHE-9



Exploded View of Transceiver NHE-9



Assembly Parts NHE-9

Item	Qty	Code	Description
1	1	0660126	ANTENNA HELICAL GSM 890-960MHZ
2	1	5140057	MIC+SPRING+RUBBER -42+-2DB 2.2K
3	1	5140059	BUZZER+SPRING CONTACTS 90DB 25R
4	1	0200883	GJ3 SYSTEM MODULE
5	5	6190003	SCREW M1.6X6 DMD00525 T6 BLK
6	1	9457739	A-COVER ASSY DMC00670 FLAT J
7	1	9457746	B COVER ASSEMBLY DMC00673 HD844
8	1	9457749	LENS DMC00672 (see note below)
	1	9480323	LENS ADHESIVE (see note below)
9	1	9467013	A-SHIELD PLATED DMC00676 HD844
10	1	9790241	PRINTED KEYMAT DMC00675 FLAT J
11	1	9790242	ON/OFF KEY PRINTED DMC00780 HD844
12	1	0200886	GU9 USER INTERFACE MODULE
13	1	5140055	SPEAKER ASSY
	1	9380115	CONTINUOUS SHEET 50 4D21663 29X35
	1	9450581	CONNECTOR COVER 3D25768 NHA-2NA

Note : Order these parts together

This page intentionally left blank.